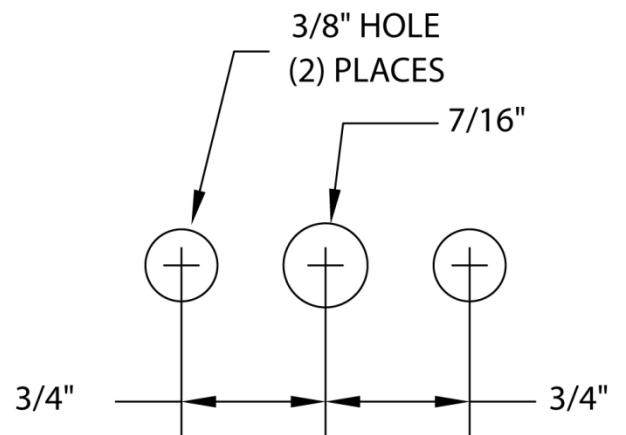
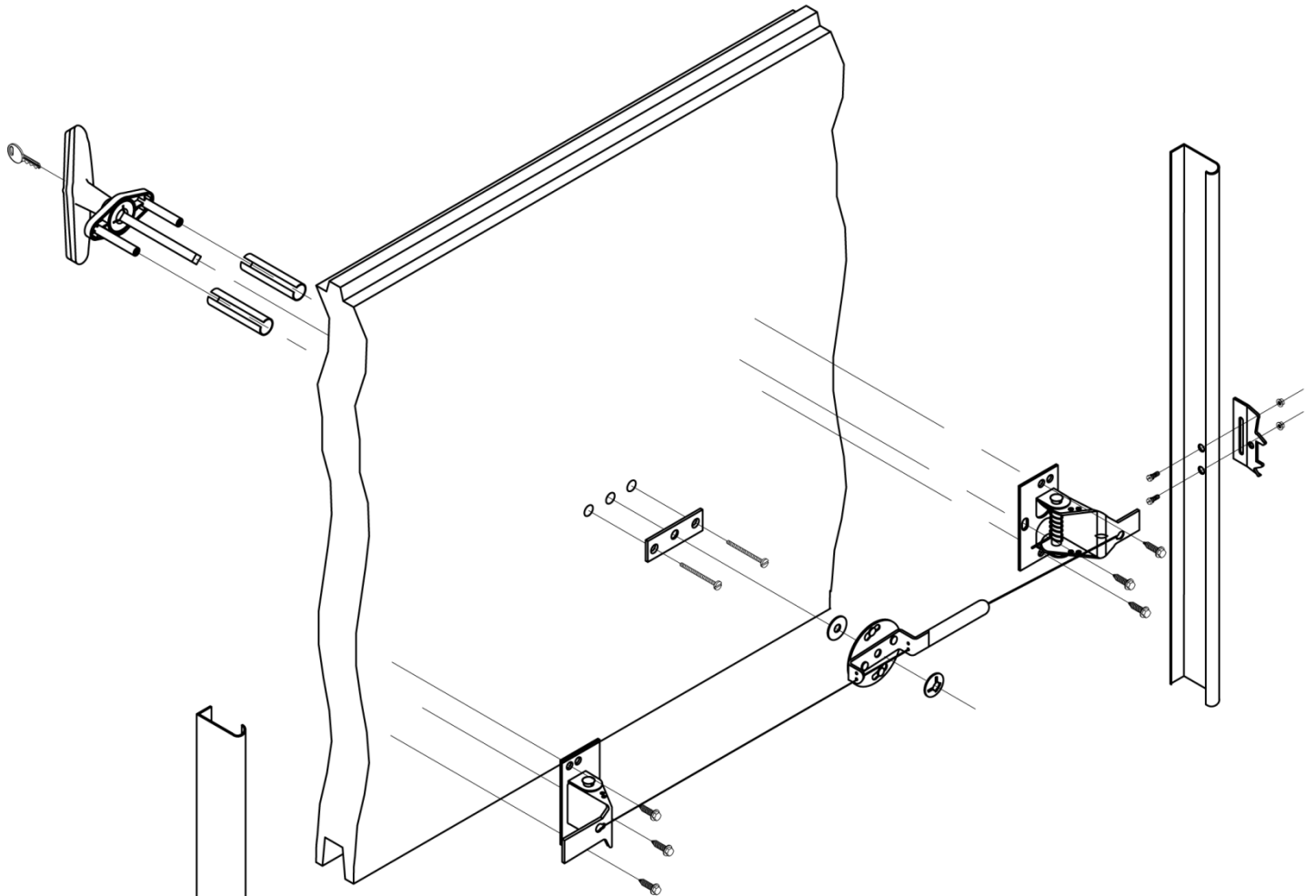


## Snap Latch Instructions & Template



DRILL TEMPLATE