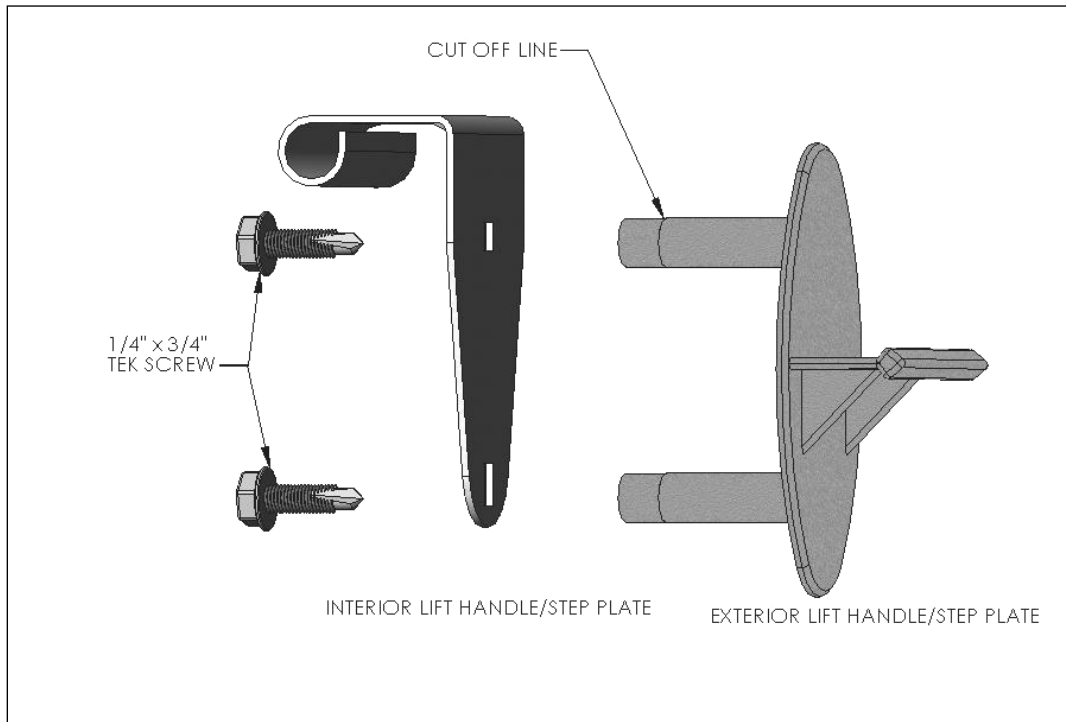


Lift Handle/Step Plate Installation Instructions



600, 700 & 2000 Series Instructions

1. Align step plate vertically with intermediate hinge.
2. On exterior of door opposite the selected intermediate hinge, measure up from bottom of section and make a mark at 1-1/2" and at 3-3/4". Be sure to center the marks between the raised panels if applicable.
3. Drill 2 - 7/16" holes on the marks from the outside of the section through interior skin of the section.
4. On 600 series doors the exterior step plate legs will need to be cut on the cut off line to accommodate the narrower section.
5. Insert exterior step plate into holes drilled on outside of the section and attach interior lift handle/step plate on the inside of the door to the exterior step plate using two 1/4"x 3/4" TEK screws.

200 Series Instructions

1. Align step plate vertically with intermediate hinge.
2. On the selected stile use the 2 - 3/16" diameter holes as a template. Drill 2 - 7/16" holes thru the 3/16" holes from inside of the section through the outside skin of the section.
3. Insert exterior step plate into holes drilled on outside of the section and attach interior lift handle/step plate on the inside of the door to the exterior step plate by using two 1/4"x 3/4" TEK screws.